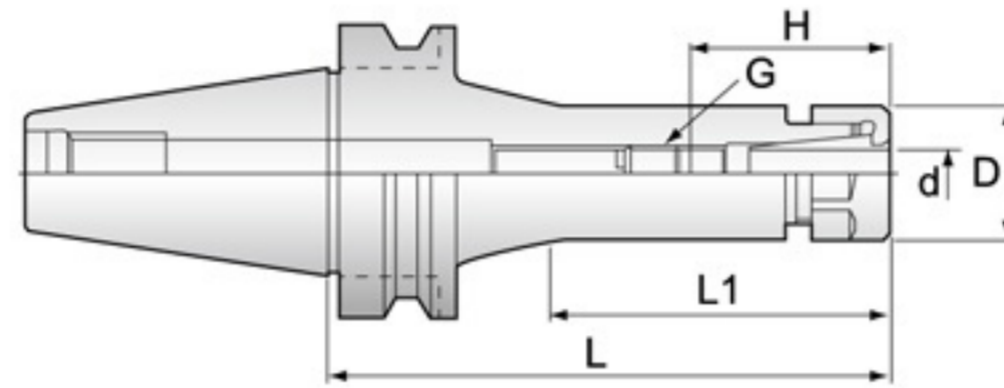
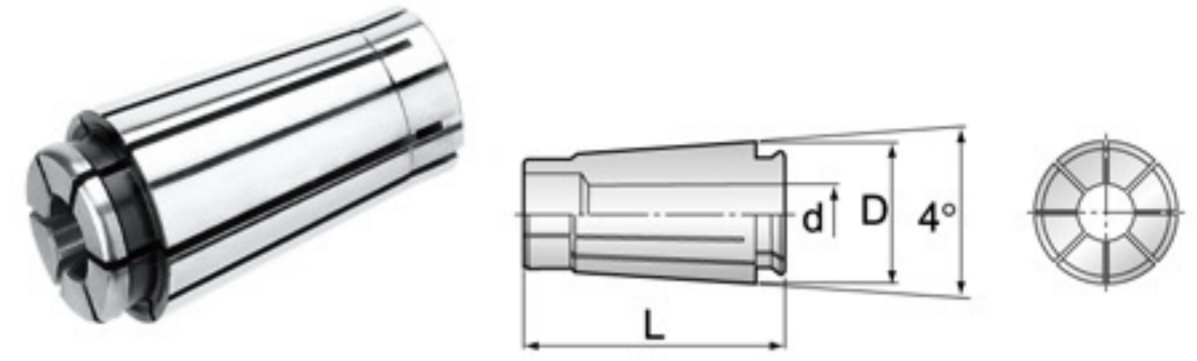


New



SSK 4°高速精密筒夾 SSK 4° Collet



| Order Code | | D | L |
|---------------|--|-------|----|
| Collet series | Ød | | |
| SSK6 | 2, 3, 4, 5, 6 | 10.55 | 25 |
| SSK10 | 3, 4, 5, 6, 7, 8, 9, 10 | 15.6 | 30 |
| SSK16 | 4, 5, 6, 7, 8, 9, 10, 11, 12, 13, 14, 15, 16 | 24.6 | 45 |

| Type No. 型號 | Range (d) | L | L1 |
|----------------|-----------|-----|-----|
| BT30-SSK6-60 | 2-6 | 60 | 38 |
| BT30-SSK6-90 | 2-6 | 90 | 50 |
| BT30-SSK10-60 | 2-10 | 60 | 38 |
| BT30-SSK10-90 | 2-10 | 90 | 68 |
| BT30-SSK16-60 | 3-16 | 60 | 38 |
| BT30-SSK16-90 | 3-16 | 90 | 68 |
| BT30-SSK20-60 | 4-20 | 60 | 37 |
| BT30-SSK20-80 | 6-25 | 80 | 37 |
| BT40-SSK6-60 | 2-6 | 60 | 33 |
| BT40-SSK6-90 | 2-6 | 90 | 50 |
| BT40-SSK6-120 | 2-6 | 120 | 50 |
| BT40-SSK10-60 | 2-10 | 60 | 33 |
| BT40-SSK10-90 | 2-10 | 90 | 63 |
| BT40-SSK10-120 | 2-10 | 120 | 70 |
| BT40-SSK10-150 | 2-10 | 150 | 88 |
| BT40-SSK16-60 | 3-16 | 60 | 33 |
| BT40-SSK16-90 | 3-16 | 90 | 63 |
| BT40-SSK16-120 | 3-16 | 120 | 93 |
| BT40-SSK16-150 | 3-16 | 150 | 123 |
| BT40-SSK20-60 | 4-20 | 60 | 33 |
| BT40-SSK20-90 | 4-20 | 90 | 63 |
| BT40-SSK20-120 | 4-20 | 120 | 93 |
| BT40-SSK20-150 | 4-20 | 150 | 123 |
| BT40-SSK25-80 | 4-25 | 80 | 53 |
| BT40-SSK25-120 | 6-25 | 120 | 93 |
| BT50-SSK6-100 | 2-6 | 100 | 50 |
| BT50-SSK6-150 | 2-6 | 150 | 50 |
| BT50-SSK10-100 | 2-10 | 100 | 62 |
| BT50-SSK10-150 | 2-10 | 150 | 70 |
| BT50-SSK16-100 | 3-16 | 100 | 62 |
| BT50-SSK16-150 | 3-16 | 150 | 112 |
| BT50-SSK16-200 | 3-16 | 200 | 162 |
| BT50-SSK20-100 | 4-20 | 100 | 62 |
| BT50-SSK20-150 | 4-20 | 150 | 112 |
| BT50-SSK20-200 | 4-20 | 200 | 162 |
| BT50-SSK25-100 | 6-25 | 100 | 62 |
| BT50-SSK25-150 | 6-25 | 150 | 112 |
| BT50-SSK25-200 | 6-25 | 200 | 162 |